




# EMS KIT

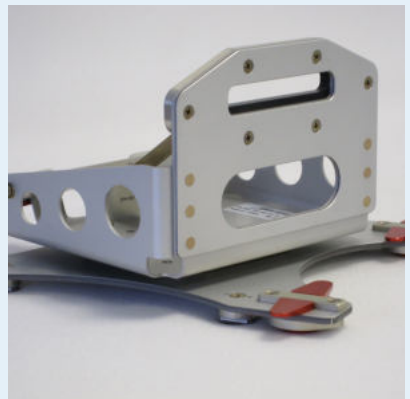
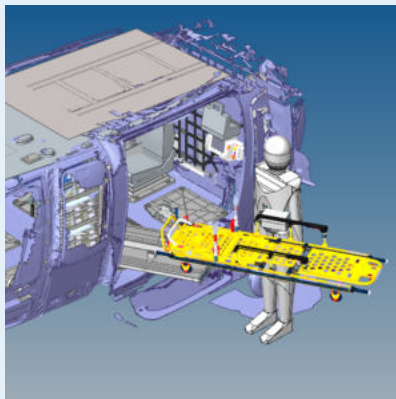
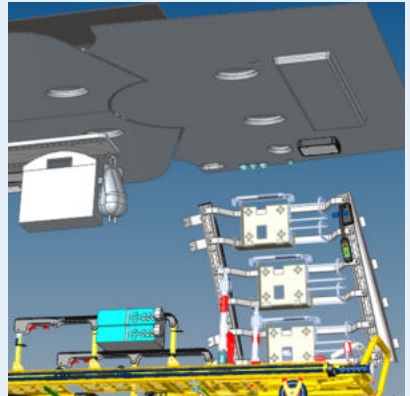
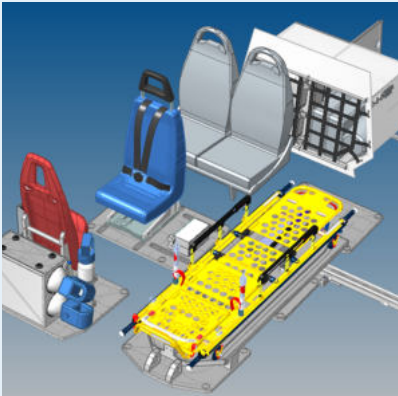
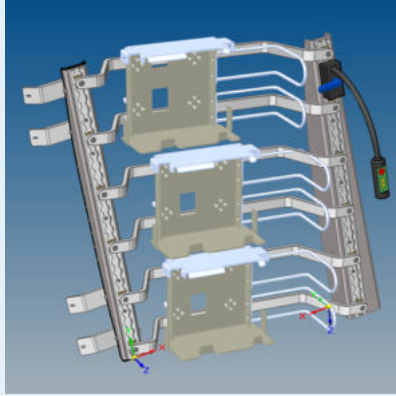
## REACH OUT:

 +49 (0)721 963 177 50

 [info@spaes.com](mailto:info@spaes.com)

 [www.spaes.com](http://www.spaes.com)

# EMS Equipment tailored to your needs.





# **FOR YOUR EMS MISSIONS**

**WHEN LIVES ARE AT STAKE, FUNCTIONAL  
EQUIPMENT IS THE KEY FOR A SUCCESSFUL MISSION**

Our main goal is to provide the greatest quality equipment for the best possible performance to our customers.

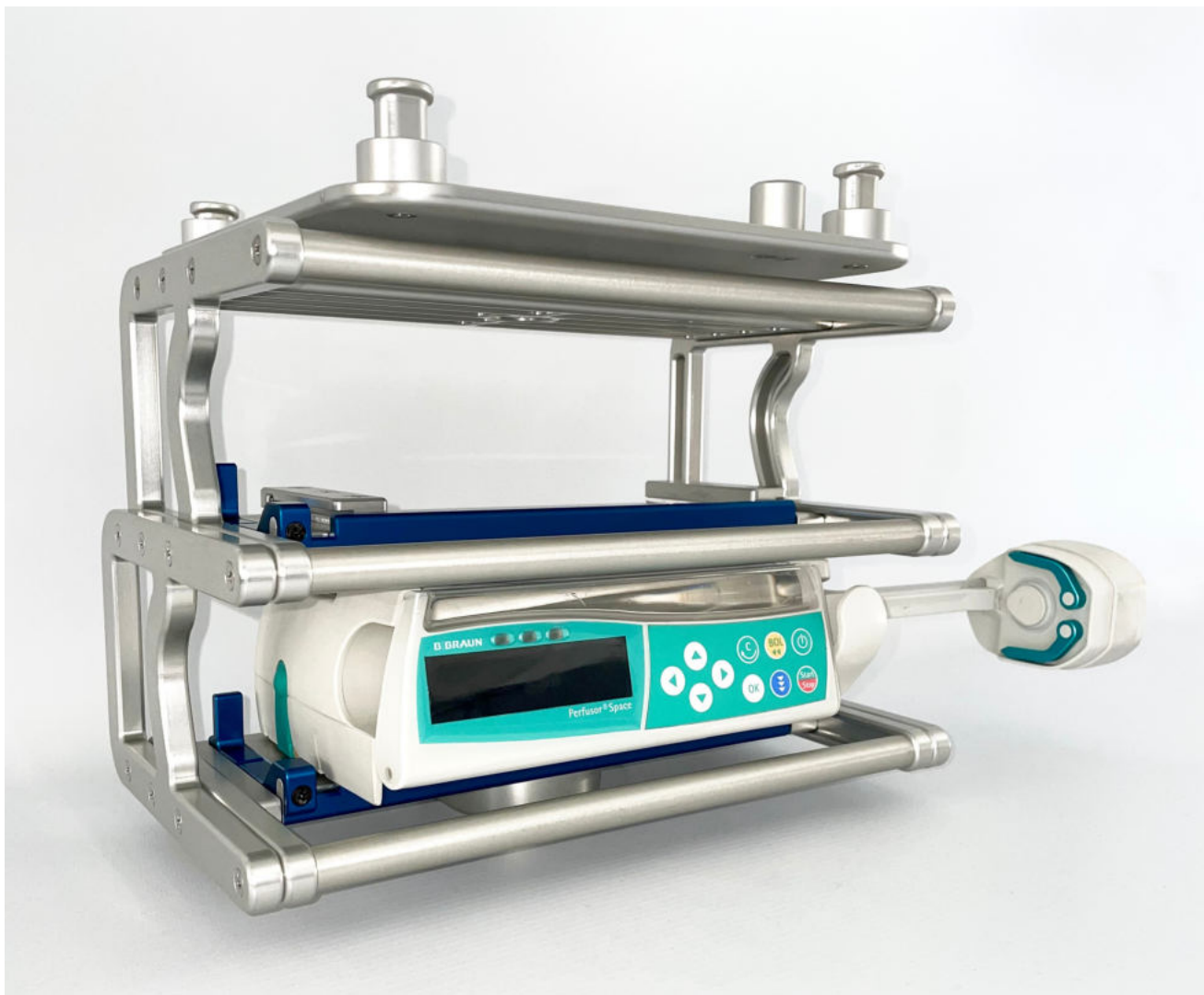
Whether you need stretchers, medical mounts, seats or med walls – we offer customized and easy-to-use equipment for special requirements and ensure the safety of the air ambulance crew and its patients.

We offer customers the full range of services from design to production up to the certification of the equipment. Due to our network of doctors and paramedics, we consistently improve our products. For many years, numerous air rescue operators have used our equipment with excellent success.

BRAUN® PERFUSOR SPACE

# MEDICAL MOUNTS

The mount allows for convenient and quick installation as well as removal. It can be universally attached to mounting rails and patient transport stretchers.

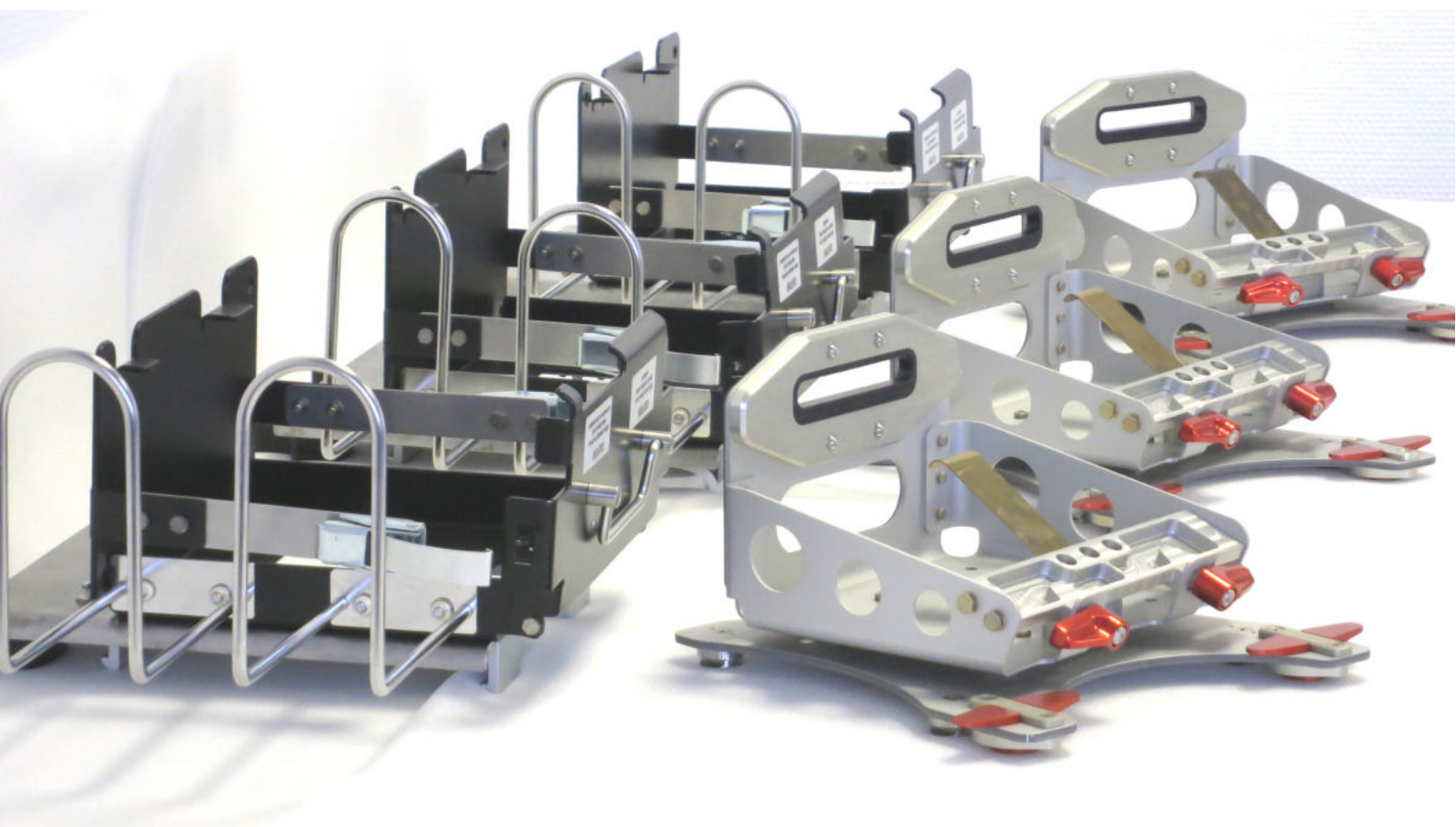




DRÄGER OXYLOG  
HAMILTON T1

# MEDICAL MOUNTS

The medical racks for the ventilator are mounted on the rail system at the ceiling of the helicopter and [can be rotated 360 degrees](#). This allows control and operation from all positions in the passenger compartment. The necessary Minor Change can be carried out in the [EASA Part 21J Design Organization](#).



# BRAUN® PERFUSOR SPACE HAMILTON T1

## MEDICAL MOUNTS

The medical racks for the ventilator are mounted on the rail system at the ceiling of the helicopter and [can be rotated 360 degrees](#). This allows control and operation from all positions in the passenger compartment. The necessary Minor Change can be carried out in the [EASA Part 21J Design Organization](#).

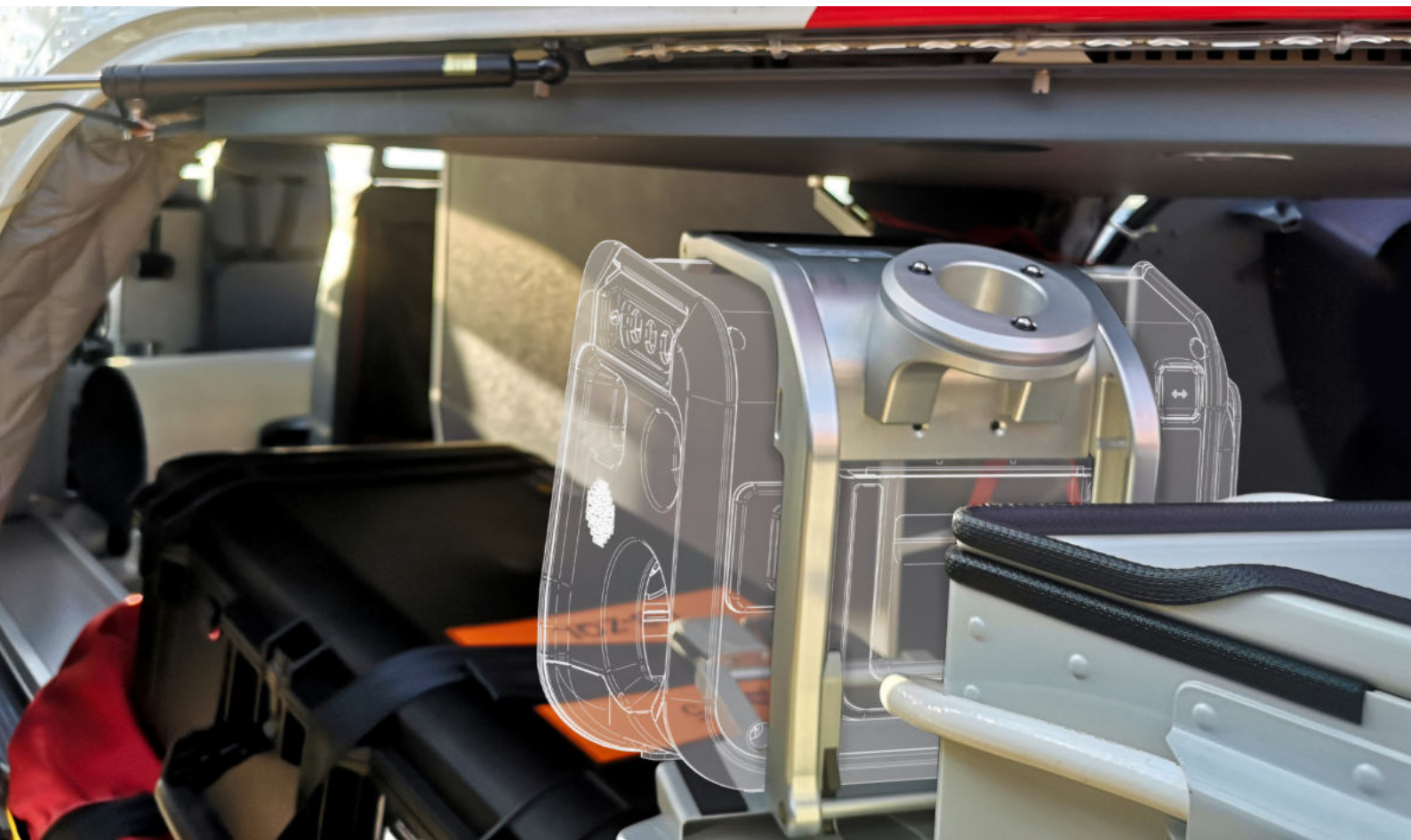




HAMILTON T1

# MEDICAL MOUNTS

The Hamilton Mounting Rack is fixed to the Hamilton T1 device for mounting the intensive care unit ventilator in the helicopter and during ground use on the patient transport stretcher.

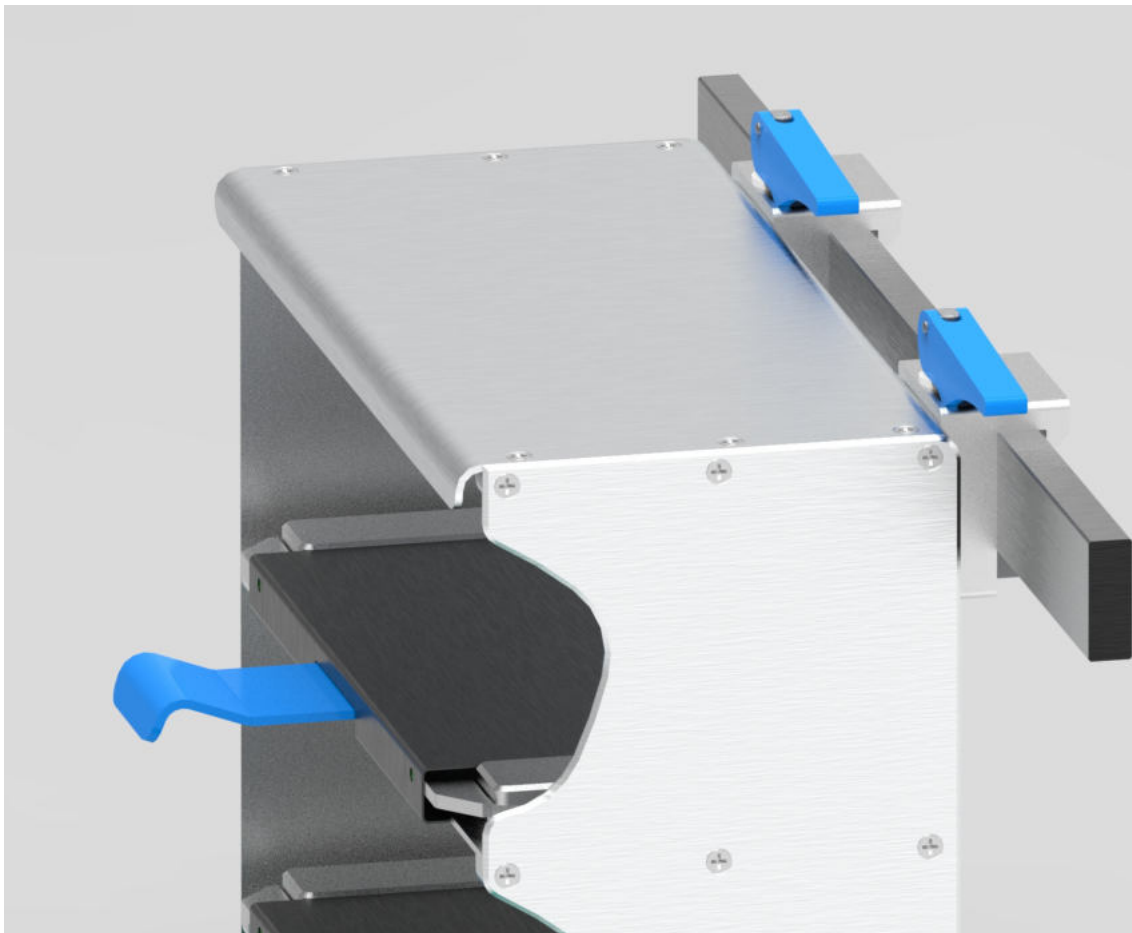




# TOP CLAW



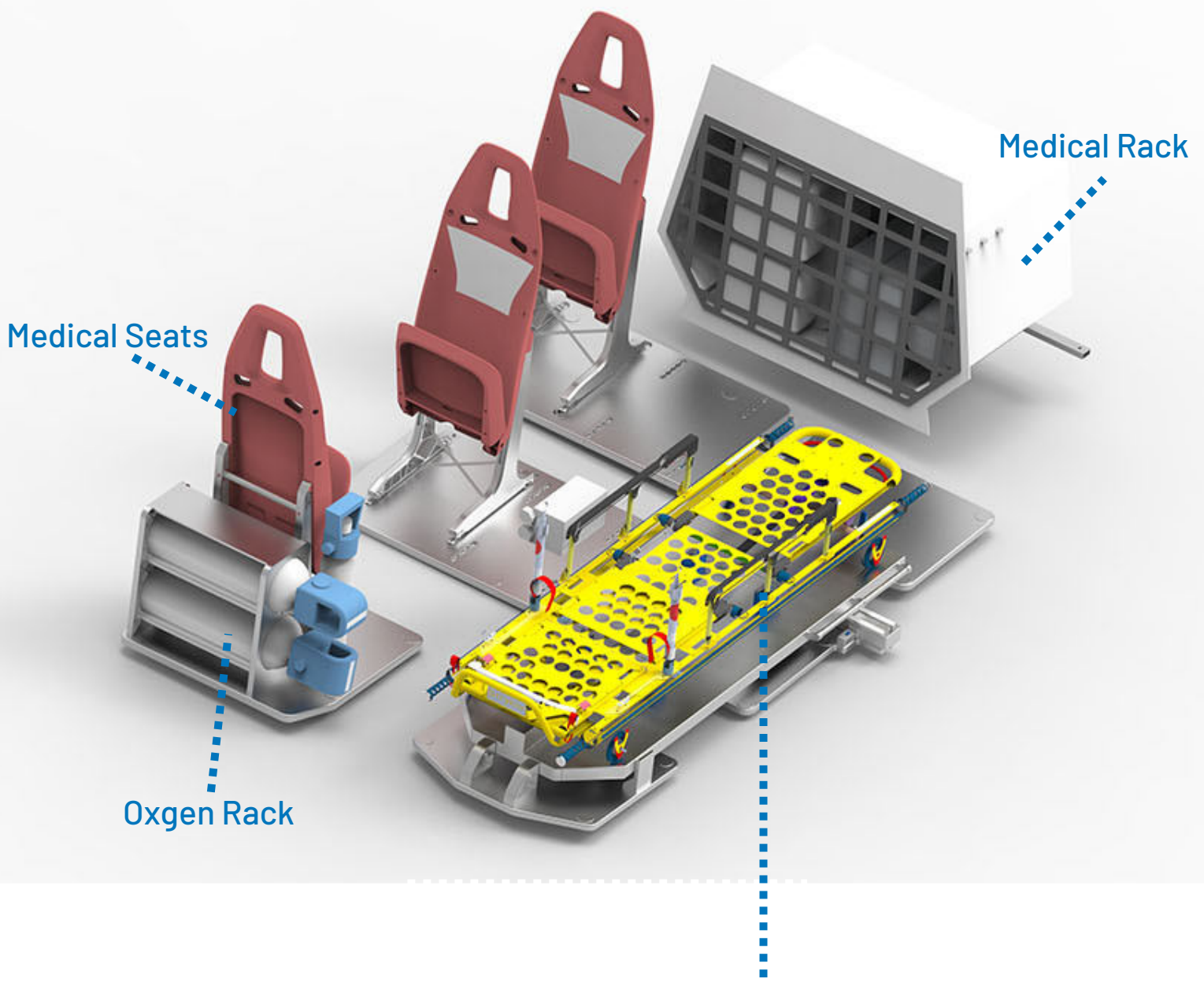
The ability to push the claw from above makes mounting various medical equipment **easier** and **quicker**.  
Since it is constructed of metal, it allows for **easy cleaning**.



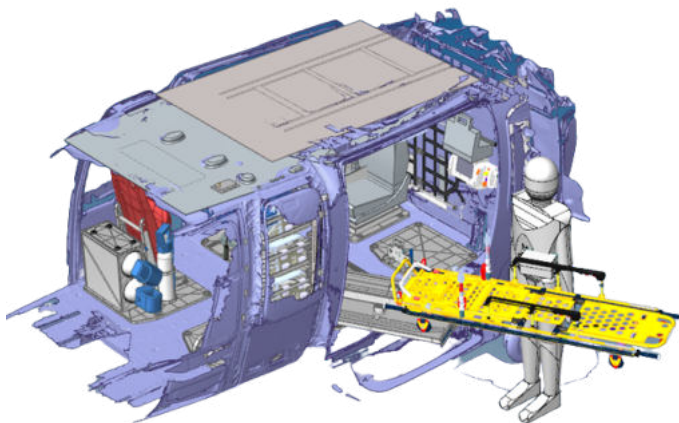
# MOUNTS INSTALLED IN AIRCRAFT

DRÄGER OXYLOG - BRAUN INFUSOMAT - CONTROL LIFEPACK 15





# STRETCHER



- Simple handling
- Modular use in many configurations
- Safe adjustment

# Medical Rack

storage compartment  
with generous capacity  
for the crew's rations



## Medical Wall

- Custom design for optimal arrangement
- Attachment of the Oxygen bottles on the rear side
- Quick mounting with four fixing points on the floor
- Maximum load of 95 kg possible
- The STC is available for the types of Airbus SA365/AS365/ EC155 B and B1

